



Young Regulator Co.

7100 Krick Rd • Walton Hills, OH 44146

P: 440-232-9700 • F: 440-232-8266

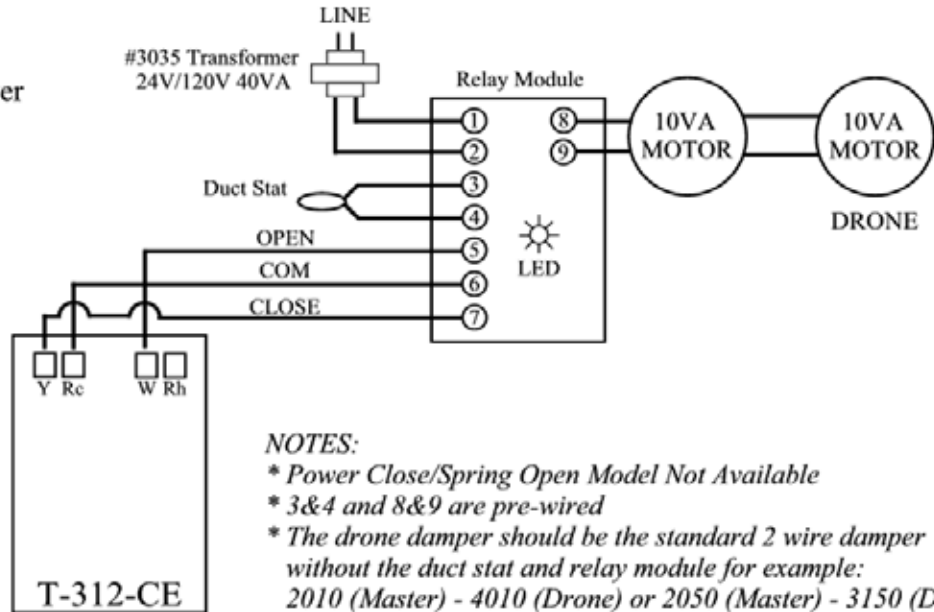
www.youngregulator.com

Submit Wiring Schematics – 1-10

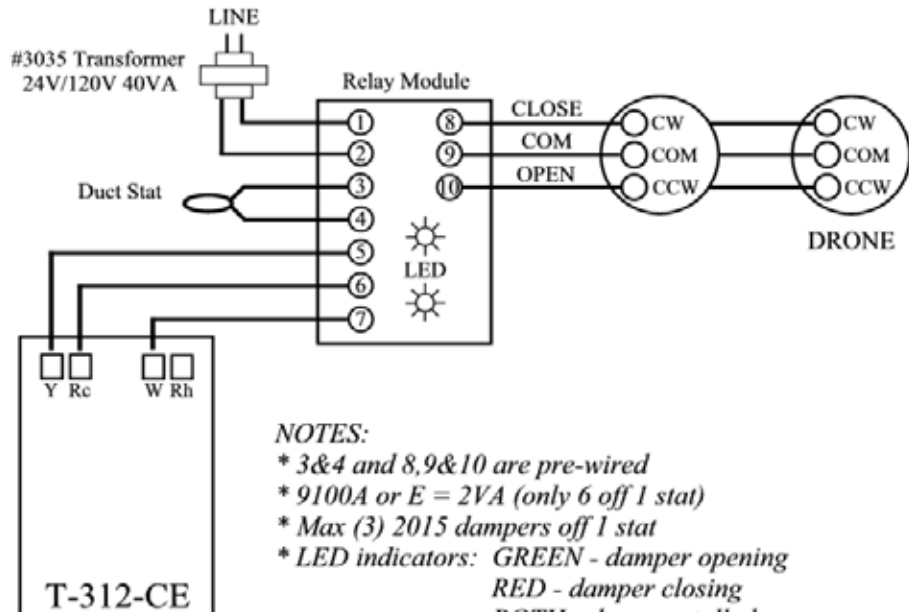
Wiring Schematics

All Dampers and Thermostats

STAT: T-312-CE
 MODE: Auto Changeover
 (2 position)
 MOTOR: Power Open
 MODEL: 2010 P.O.
 2050 P.O.



STAT: T-312-CE
 MODE: Auto Changeover
 MOTOR: Modulating VAV
 MODEL: 2015
 2045
 2075
 2085
 2165
 9100AC



GENERAL NOTES for AUTO CHANGEOVER DAMPERS:

- * Thermostat and transformer are separate and wired in the field
- * In order for the change over sensor to operate correctly, minimum air must flow over the sensor



Young Regulator Co.

7100 Krick Rd • Walton Hills, OH 44146

P: 440-232-9700 • F: 440-232-8266

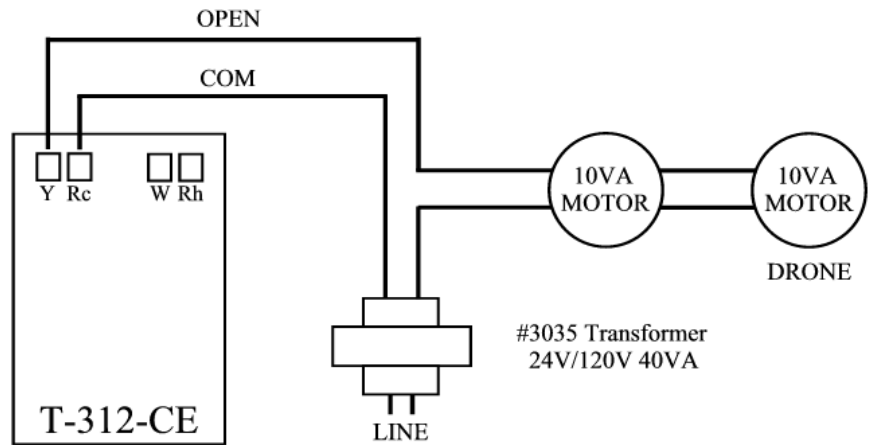
www.youngregulator.com

Submit Wiring Schematics – 1-10

Wiring Schematics

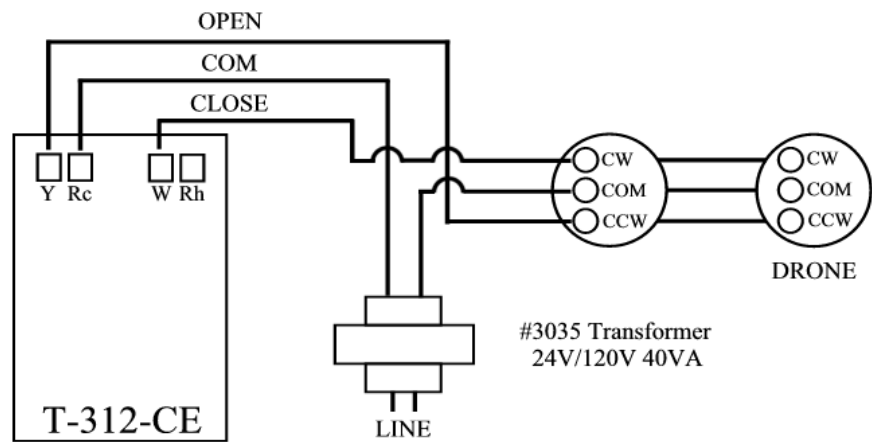
All Dampers and Thermostats

STAT: T-312-CE
 MODE: Cool Only
 MOTOR: Power Open
 MODEL: 4010 P.O.
 3150 P.O.
 RDTF
 SDTF



NOTE: For (PC) Power Close/Spring Open Models, Use W instead of Y Terminal

STAT: T-312-CE
 MODE: Cool Only
 MOTOR: Power Open
 Power Close
 MODEL: 2VA Motor
 3045
 3085
 4010-16
 9100E
 4075
 6VA Motor
 3165
 4015



NOTE: Green Open - Yellow Close - White Common on 3165 & 4015 Only



Young Regulator Co.

7100 Krick Rd • Walton Hills, OH 44146

P: 440-232-9700 • F: 440-232-8266

www.youngregulator.com

Submit Wiring Schematics – 1-10

Wiring Schematics

All Dampers and Thermostats

STAT: T-511

MODE: Auto Changeover
(2 position)

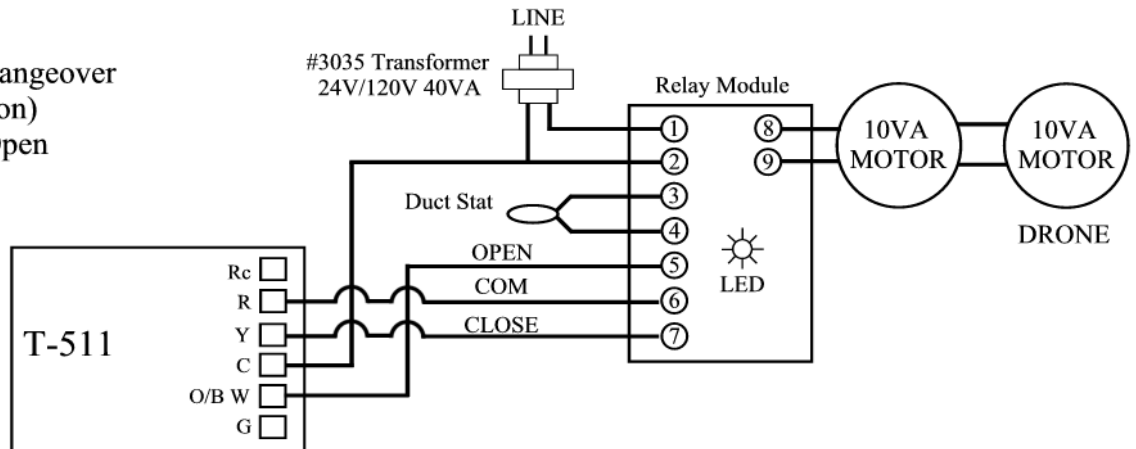
MOTOR: Power Open

MODEL: 2010

2050

2100

2500



NOTES:

- * 3&4 and 8&9 are pre-wired
- * Thermostat and transformer are separate and wired in the field
- * Power Close/Spring Open Model Not Available
- * The drone damper should be the standard 2 wire damper without the duct stat and relay module for example 2010 (Master) - 4010 (Drone) or 2050 (Master) - 3150 (Drone)
- * In order for the change over sensor to operate correctly, minimum air must flow over the sensor
- * LED indicators: GREEN - damper opening
RED - damper closing
BOTH - damper stalled
NONE - problem with wiring or power

STAT: T-511

MODE: Cool Only
(2 position)

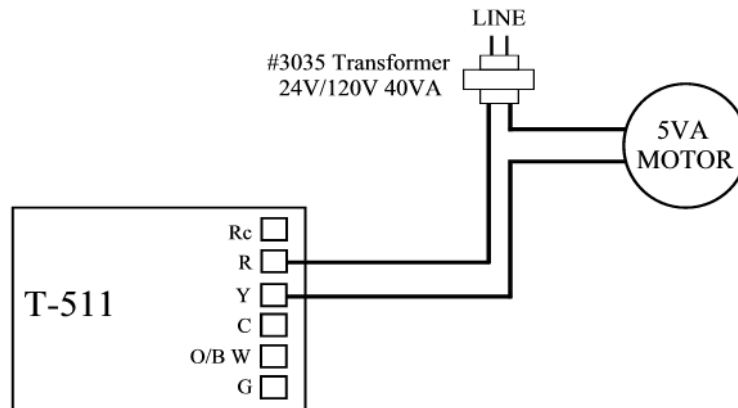
MOTOR: Power Open

MODEL: 4010

3150

RDTF

SDTF



NOTES:

- * Thermostat and transformer are separate and wired in the field
- * Order the T511 for a cool only installation to ensure proper programming



Young Regulator Co.

7100 Krick Rd • Walton Hills, OH 44146

P: 440-232-9700 • F: 440-232-8266

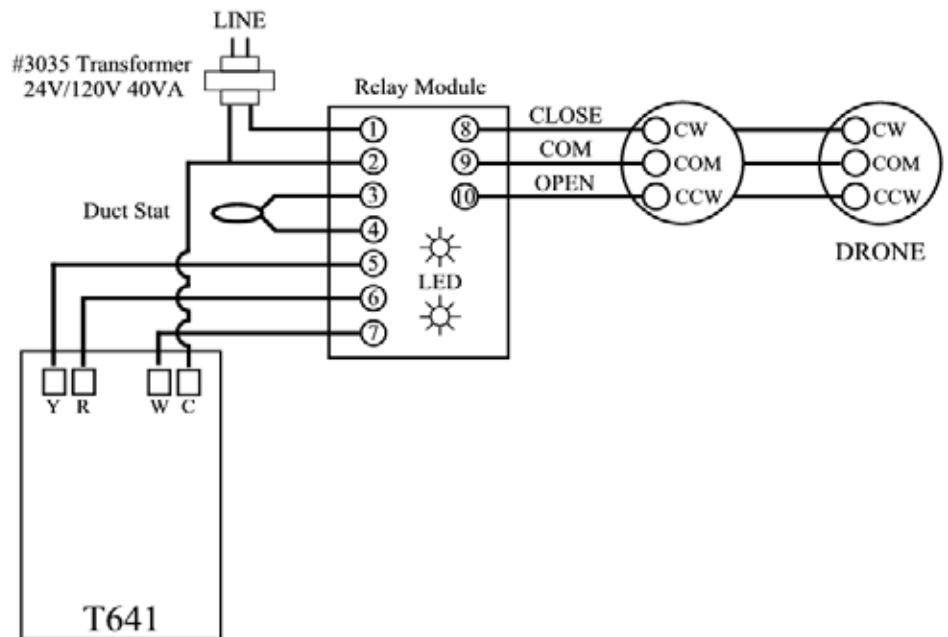
www.youngregulator.com

Submit Wiring Schematics – 1-10

Wiring Schematics

All Dampers and Thermostats

STAT: T-641
 MODE: Auto Changeover
 MOTOR: Modulating VAV
 MODEL: 2075
 2085
 2045
 9100AC



NOTES:

- * 3&4 and 8,9 and 10 are pre-wired
- * Thermostat and transformer are separate and wired in the field
- * 9100A or E=2VA (only 6 off 1 stat)
- * The drone damper should be the standard 3 wire damper without the duct stat and relay module for example 2075 (Master) - 4075 (Drone) or 9100AC (Master) - 9100E (Drone)
- * In order for the change over sensor to operate correctly, minimum air must flow over the sensor
- * LED indicators: GREEN - damper opening
 RED - damper closing
 BOTH - damper stalled
 NONE - problem with wiring or power



Young Regulator Co.

7100 Krick Rd • Walton Hills, OH 44146

P: 440-232-9700 • F: 440-232-8266

www.youngregulator.com

Submit Wiring Schematics – 1-10

Wiring Schematics

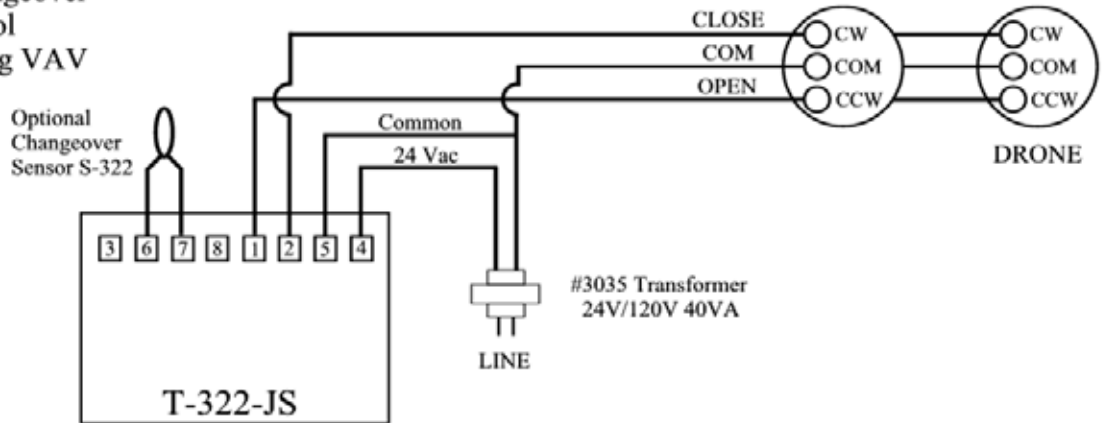
All Dampers and Thermostats

STAT: T-322-JS

MODE: Auto Changeover
P+I Control

MOTOR: Modulating VAV

MODEL: 3045
3085
4075
9100E



NOTES:

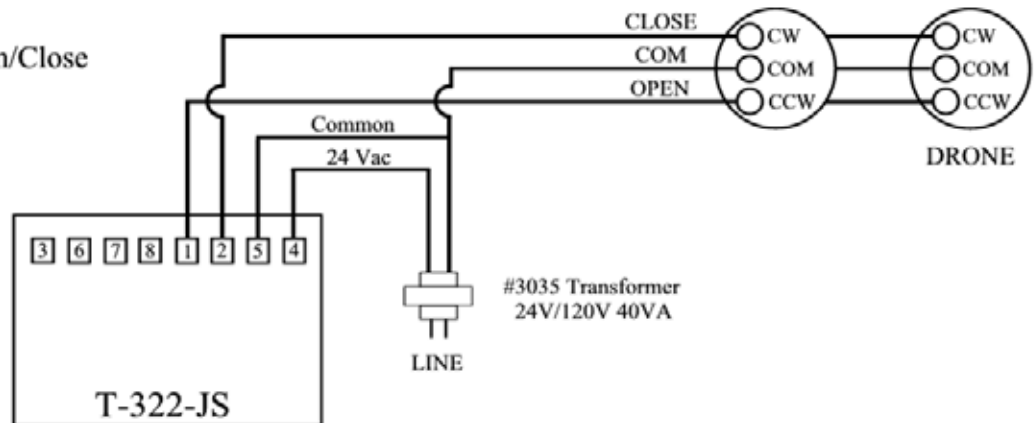
- * Thermostat, transformer and changeover sensor are separate and wired in the field
- * Maximum of (6) 2VA actuators per thermostat
- * In order for the change over sensor to operate correctly, minimum air must flow over the sensor

STAT: T-322-JS

MODE: Cool Only
P+I Control

MOTOR: Modulating Open/Close

MODEL: 3045
3085
4075
9100E



NOTES:

- * Thermostat and transformer are separate and wired in the field
- * Maximum of (6) 2VA actuators per thermostat