



Young Regulator Co.

7100 Krick Rd • Walton Hills, OH 44146

P: 440-232-9700 • F: 440-232-8266

www.youngregulator.com

Submit 270 – 1-10

**Bowden Cable Controls
Rack and Pinion Regulator**

*The Central Control Device of the Young
Regulator Bowden Series*

Application and Design

Balancing dampers located in inaccessible spaces are now easily controlled with the Young Regulator Bowden Remote Cable Assemblies. Access is concealed in the ceiling, inside plenums, or moved to a convenient area such as a nearby mechanical room or above a lay in ceiling. Access doors can be eliminated for architectural aesthetics. A flexible casing and wire, (PT #BCW, ordered separately) up to 50' long runs from this steel rack and pinion locking controller to a damper where the rotary motion of the rack and pinion controller is converted to a push-pull motion with a lever arm. There are 16 incremental stops in the 90° between full open and full closed for precise control.

STANDARD CONSTRUCTION

Controller	14 ga. Galvanized Zinc Plated Steel
Max. Torque	30 lbs. push/pull
Control Shaft	Flattened D Shape (#030-12 required to operate)

DAMPERS

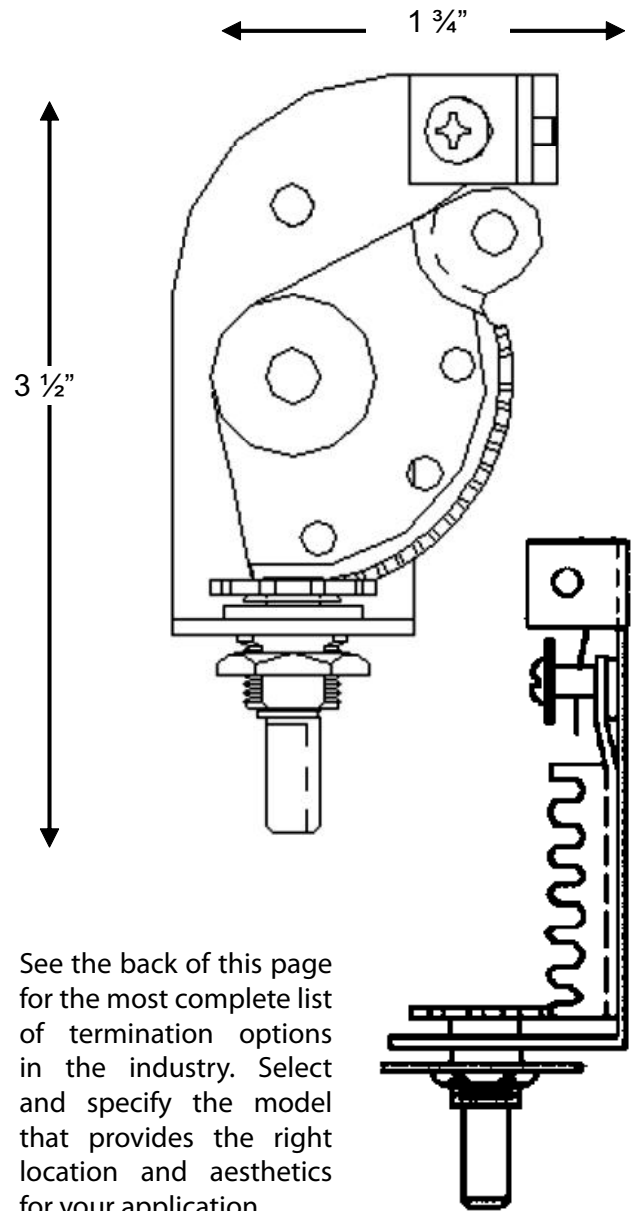
Round 5020CC	Rectangular 830ACC Series
5050CC Takeoff	

OPTIONS

- Multiple termination options (see chart on back)
- Optional Hardware available to control dampers by others.
- Order "270-XXXB" for dampers with 1/2" round or 3/8" square damper shafts
- Order "270-XXXB-Q" for dampers with 5/16" round or 1/4" square damper shafts
- Contact the factory for other damper shaft sizes.

QUANTITY	MODEL	OPTIONS	NOTES

PROJECT	LOCATION
CONTRACTOR	DESIGN SPECIFIER



See the back of this page for the most complete list of termination options in the industry. Select and specify the model that provides the right location and aesthetics for your application.



Young Regulator Co.

7100 Krick Rd • Walton Hills, OH 44146

P: 440-232-9700 • F: 440-232-8266

www.youngregulator.com

Submit 270 – 1-10

Model 270

*Bowden Remote Cable
Rack and Pinion Controller
Termination Options*

YOUNG REGULATOR BOWDEN CABLE CONTROLS AND COMMERCIAL DAMPERS

CONTROLLER MODEL	INCLUDES All models included rack and pinion controller	APPLICATION
270-275	With angle bracket	Inside plenums, atop square diffusers, balancing station, behind a grille, underground duct
270-275PH	As above, adjusted with Phillips screwdriver	Inside plenums
270-275ML	With angle bracket and extended control shaft	Inside plenums with "ice tong" style diffusers
270-301	Cup and 3" diameter coverplate	Concealed ceiling regulator above sheetrock ceiling
270-301BC	As above, with bracket to fasten cup to stud	Concealed ceiling regulator above sheetrock ceiling
270-301EZ	Angle bracket and 3" diameter coverplate	Concealed ceiling regulator above sheetrock ceiling
270-315	Cup and 2 1/4" diameter threaded cap	Concealed ceiling regulator above sheetrock ceiling
270-315BC	Cup and 2 1/4" diameter threaded cap with angle bracket and 3" diameter coverplate	Concealed ceiling regulator above sheetrock ceiling
270-302	Cup and 3" diameter coverplate	Concealed on the wall
270-700	4 x 4 junction box, stainless steel coverplate and knob	Exposed on the wall, "manual thermostat"
270-896	"C" bracket, screw cap with 1" head	Concealed in the ceiling
270-896LO	"C" bracket, screw cap with 1" head	Concealed on the wall or installed in the ceiling where there is limited height clearance

FOR CABLE CONTROLLED DAMPERS BY OTHERS	INCLUDES	APPLICATION
270-XXXB	Any Young Regulator cable control kits shown above with the hardware for dampers by others with 1/2" round or 3/8" square damper shafts	Inaccessible balancing damper by others
270-XXXB-Q	Any Young Regulator cable control kits shown above with the hardware for dampers by others with 5/16" round or 1/4" square damper shafts	Inaccessible balancing damper by others

CABLE CONTROLLED DAMPER	INCLUDES	APPLICATION
5020CC	Galvanized Round Sleeve, 20 ga. blade, all necessary hardware	Inaccessible balancing damper in round duct
5020CC2	Galvanized steel round sleeve, 20 ga. blade, all necessary hardware	Inaccessible balancing damper in round duct Controlled from inside the air stream and underground duct
5050CC	Galvanized steel 45° takeoff fitting, 20 ga. blade, all necessary hardware	Inaccessible takeoff with damper above
830ACC	Aluminum square opposed blade damper, all necessary hardware	Inaccessible balancing damper in rectangular duct
830ACC2	Aluminum square opposed blade damper, all necessary hardware	Inaccessible balancing damper in rectangular duct Controlled from inside the air stream and underground duct
820ACC	Aluminum square opposed blade damper, mounting plate for slip-in installation, all necessary hardware	Inaccessible balancing damper in rectangular duct