



Young Regulator Co.

7100 Krick Rd • Walton Hills, OH 44146
 P: 440-232-9700 • F: 440-232-8266
www.youngregulator.com

Submit 270-275 – 1-10

Model 270-275

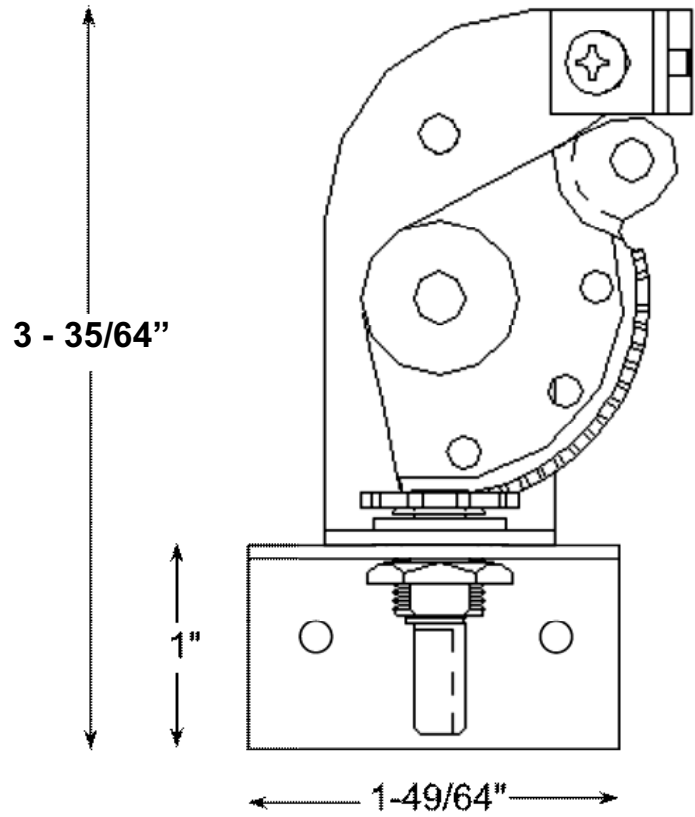
Bowden Remote Cable Control

Application and Design

Balancing dampers located in inaccessible spaces are now easily controlled with the Young Regulator Bowden Remote Cable Assemblies. Access is concealed in the ceiling, inside plenums, or moved to a convenient area such as a nearby mechanical room or above a lay in ceiling. Access doors can be eliminated for architectural aesthetics.

A flexible casing and wire, (PT #BCW, ordered separately) up to 50' long runs from a steel rack and pinion locking controller to a damper where the rotary motion of the rack and pinion controller is converted to a push-pull motion with a lever arm.

The 270-275 can mount inside the plenum of a slot diffuser, with access to the controller through the opening in the bottom of the slot.



STANDARD CONSTRUCTION	
Rack and Pinion	14 ga. Galvanized Steel
Angle Bracket	18 ga. Galvanized Steel
ACCESSORIES	
Controlled with model 030-12 wrench	
BCW - Bowden Casing and Wire - ordered separately by the foot or in bulk	
Right angle bracket to secure to plenum wall	

OPTIONS
270-275B With hardware for dampers by others with 1/2" round or 3/8" square damper shaft
270-275B-Q With hardware for dampers by others with 1/4" square or 5-16" round damper shaft
270-275ML For use with ML style diffusers
270-275PH With Philips head adjustment

QUANTITY	MODEL	OPTION	NOTES

PROJECT	LOCATION
CONTRACTOR	DESIGN SPECIFIER



Young Regulator Co.

7100 Krick Rd • Walton Hills, OH 44146

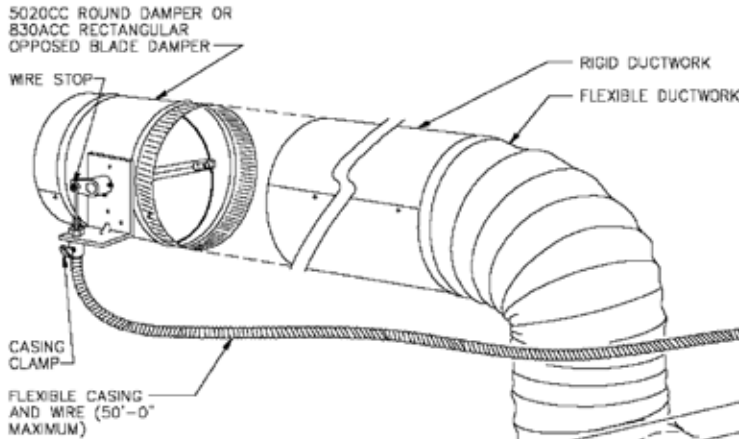
P: 440-232-9700 • F: 440-232-8266

www.youngregulator.com

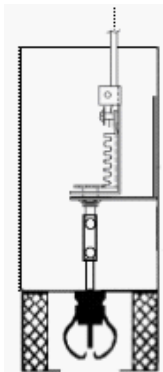
Submit 270-275 – 1-10

Model 270-275

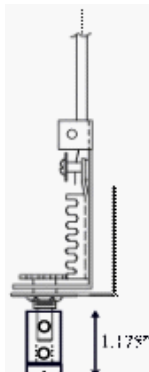
Bowden Remote Cable Control



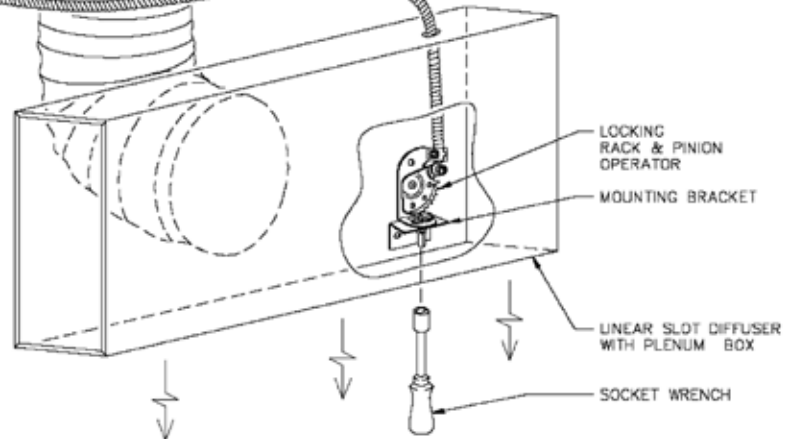
270-275 with 5020CC Damper
Control inaccessible balancing dampers from the plenum of a slot diffuser



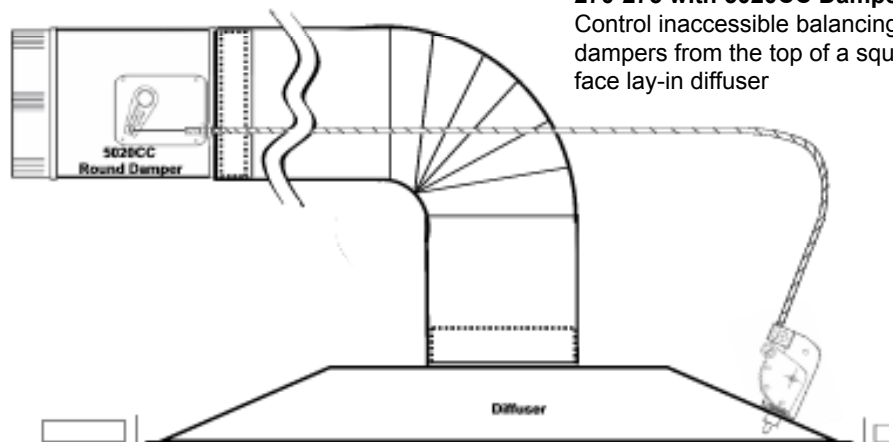
270-275-ML
Extended control shaft for "ice tong" style diffuser



270-275-PH
Optional extended control shaft adjustment with Phillips screwdriver



270-275 with 5020CC Damper
Control inaccessible balancing dampers from the top of a square face lay-in diffuser



Model 270-275 Inside of the Plenum

Damper controller and cable shall be fastened to the inside of the plenum within the airstream. Allow access to damper operator. Cable to consist of Bowden cable .054" stainless steel control wire with a tensile strength of 260,000 lbs. that is encapsulated in 1/16" flexible galvanized spiral wire sheath. Control kit shall be designed for use with internally or externally controlled round or rectangular dampers and shall consist of 14 gauge steel rack and pinion gear drive capable of delivering 35 in lbs. of push/pull torque that converts rotary motion to push-pull motion. Control shaft shall be D-style flattened 1/4" diameter with 265-degree rotation providing 1-1/2" linear travel capability. Control kit mounting bracket can be field mounted on ceiling framework, behind grilles, on or inside plenum slot diffusers and other various types of diffusers. Control kit shall be manually operated using Young Regulator Model 030 Wrench. Control kit shall be Young Regulator Model 270-275 or prior approved equal. Specify 270-275PH for phillips head adjustment. Specify 270-275ML for "ice tong" style diffuser.



Young Regulator Co.

7100 Krick Rd • Walton Hills, OH 44146

P: 440-232-9700 • F: 440-232-8266

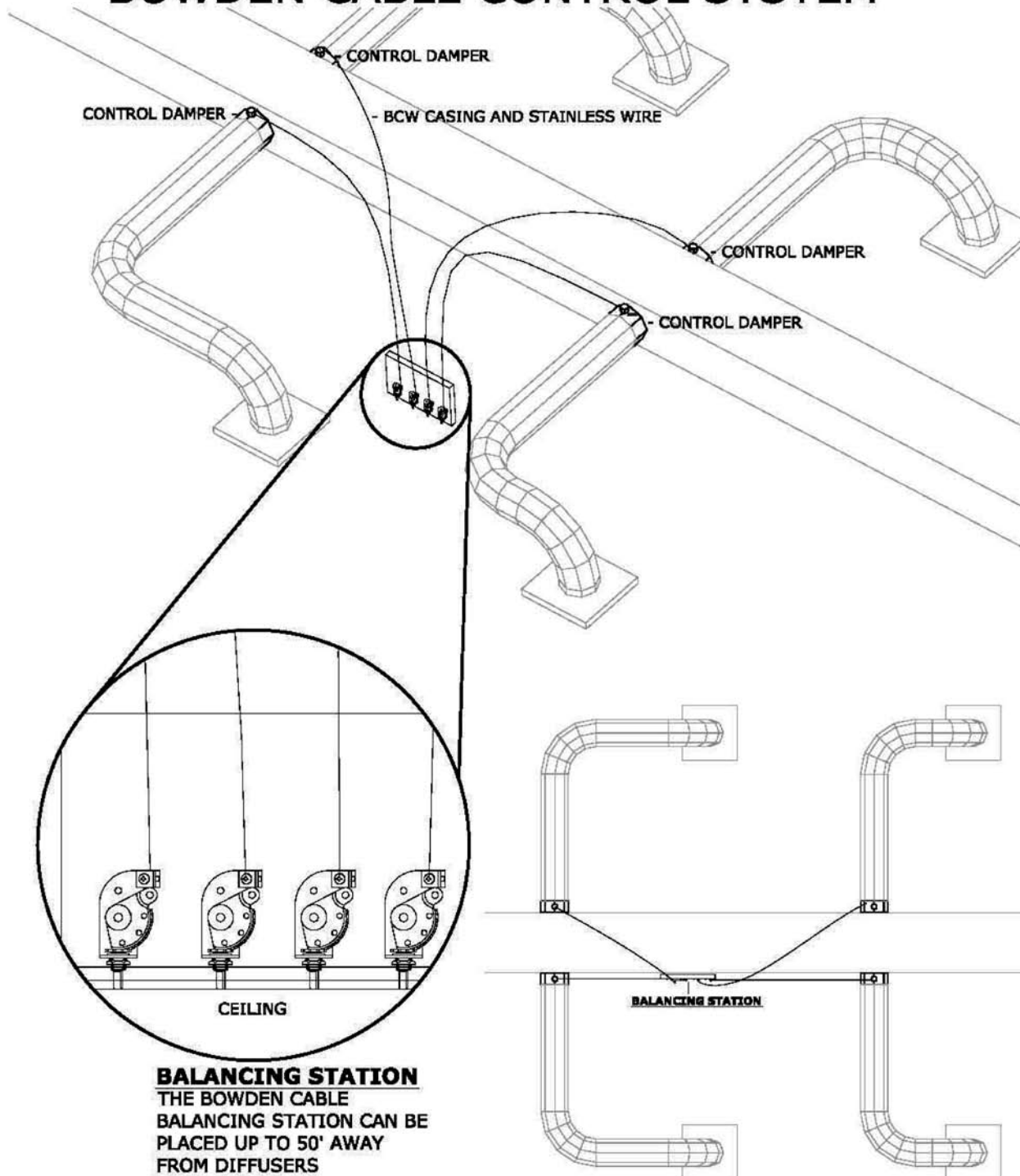
www.youngregulator.com

Submit 270-275 – 1-10

Model 270-275

Bowden Remote Cable Control

BOWDEN CABLE CONTROL SYSTEM



BALANCING STATION
 THE BOWDEN CABLE
 BALANCING STATION CAN BE
 PLACED UP TO 50' AWAY
 FROM DIFFUSERS