



Young Regulator Co.

7100 Krick Rd • Walton Hills, OH 44146

P: 440-232-9700 • F: 440-232-8266

www.youngregulator.com

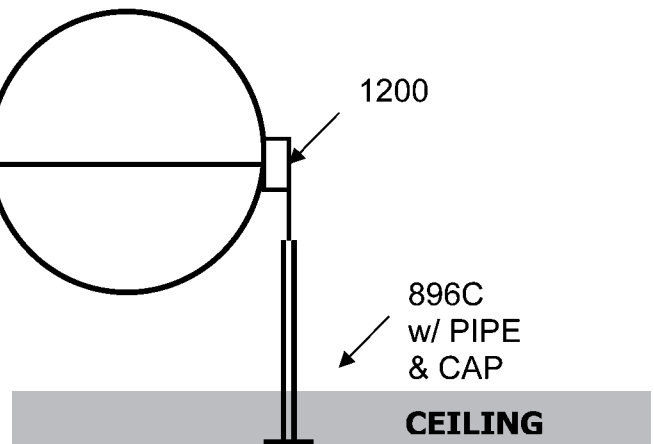
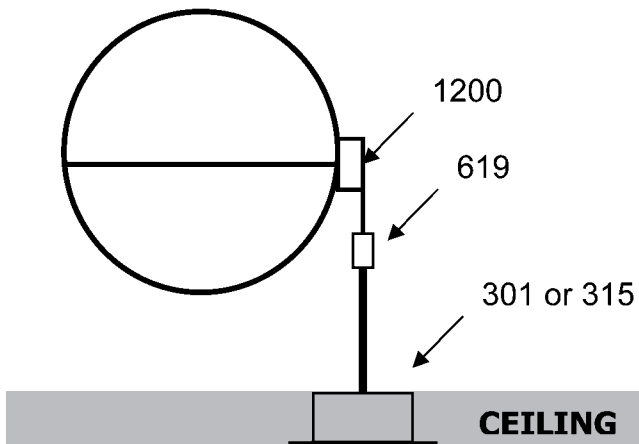
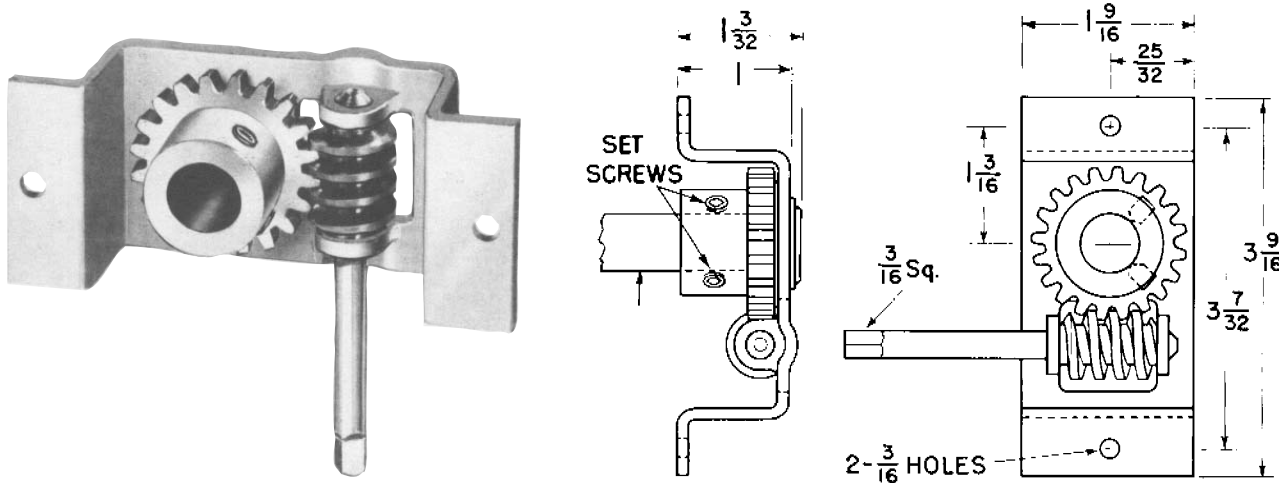
Submit 1200 – 1-10

Model 1200

Right Angle Worm Gear Regulator

Application and Design

Like our 927 miter gears, the Young 1200 self-locking right angle worm gear regulator is used when an operating shaft must be carried down at a right angle to the damper shaft. A moderately priced unit, the 1200 can be used with either 1/2" round or 3/8" square shafts. It may be used together with a variety of Young regulators, including 301, 315, and 896C, to operate dampers from the ceiling line. If used with the 301 or 315, a 619 coupling is required to connect the 1200 to the 3/8" square rod. The 1200 is made of heavy-duty steel and die cast construction and is operated by a 030 wrench, which is available separately in 12", 18", or 24" lengths.



1200 Worm Gear shown with 301 Concealed Ceiling Regulator (619 Coupling required).

1200 Worm Gear shown with 896C Ceiling Access Cap. See 896C page for expanded view.

Note: For damper shaft of 5/16" round and/or 1/4" square, order Model 1200-1/4. Shown w/ round dampers, will work with rectangular dampers as well. Young Regulator damper models 5010-1200 and 820-1200 have the worm gear attached at the factory Model 1200 Right Angle Worm Gear also used with Flexible Shaft Products.