



YOUNG REGULATOR

20910 Miles Parkway • Cleveland, OH 44128
 (216) 663-5646 • (216) 663-1830 fax

SUBMITTAL DATA

RECTANGULAR COUNTERBALANCE PRESSURE RELIEF DAMPER

Model 4095 STATIC PRESSURE CONTROL

Application and Design

Young series 4095 Round Barometric Damper is used to automatically bypass excess air when increases in duct static pressure occur due to closing of zone dampers. Various relief air control settings are easily accomplished by simple adjustment of an integral weighted control lever. 4095 Barometric Relief Dampers are recommended for systems up to 1" static pressure. For higher pressure systems use models 3092 and 4092 motorized bypass dampers.

Ratings

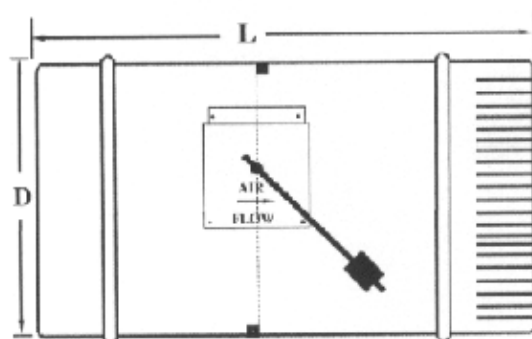
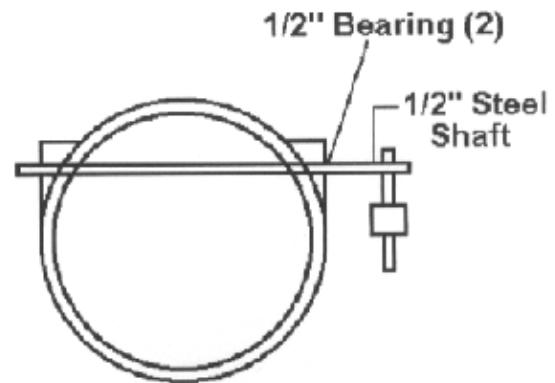
- Pressure:** 1" W.C.
- Velocity:** 2,400 CFM
- Temperature:** 20°F to 125°F

Standard Construction

- Frame:** 20 gauge spiral galvanized steel
- Blade:** 20 gauge galvanized "V" blade with low leak seals
- Bushings:** oil impregnated bronze
- Shaft:** 1/2" diameter steel

Size Information

- Minimum Size:** 8"
- Maximum Size:** 16"
- Shell Length:** see below



DIAMETER'	CFM	LENGTH	DIAMETER	CFM	LENGTH
8"	400	8 3/4"	14"	1800	14"
10"	750	10"	16"	2400	16"
12"	1200	12"			

Options (at additional costs)

- Electronic Bypass (model 4092)

QUANTITY	DIAMETER	
PROJECT		LOCATION
CONTRACTOR		DESIGN SPECIFIER