



AUTOMATIC CHANGEOVER ROUND VAV DAMPER

**Model 2075
THERMOSTATIC CONTROL
FLOATING MODULATION**

SUBMITTAL DATA

Application and Design

The 2075 round variable air volume dampers are used with a single pole, double throw, center off zone thermostat (such as the Young T-312 or T-641, ordered separately) in heat / cool systems to vary the volume of air into a zone to maintain room temperature. They are used independent of a zone control panel to solve isolated over heating and / or over cooling problems. The automatic changeover relay consists of a duct sensor and relay board. Duct sensor is factory installed on damper to be positioned upstream to sense supply air temperature. Supply duct air temperatures greater than 70 degrees will direct the relay board to put the damper in the heating mode, so that damper will begin to close when room temperature is greater than the wall thermostat set point. Supply duct air temperatures less than 70 degrees will direct the relay board to put the damper in the cooling mode, so that damper will begin to open when room temperature is greater than the wall thermostat set point.

Ratings

Pressure: 1" W.C.
Velocity: 1,500 CFM
Temperature: 20°F to 125°F

Standard Construction

Frame: 20 gauge spiral galvanized steel
Blade: 20 gauge galvanized "V" blade
Bushings: oil impregnated bronze
Shaft: 1/2" diameter steel

Actuator

24V, 35 in. lb Direct Coupled
Honeywell ML6161. UL & CSA Listed
2.0 Watts, .085 Amperes, 2.04 VA
Control 6 dampers from one thermostat.
7 minute timing

Thermostat

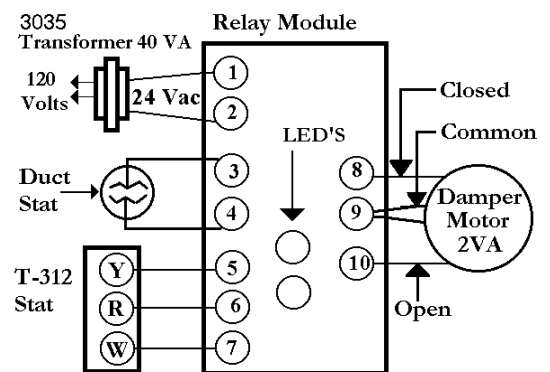
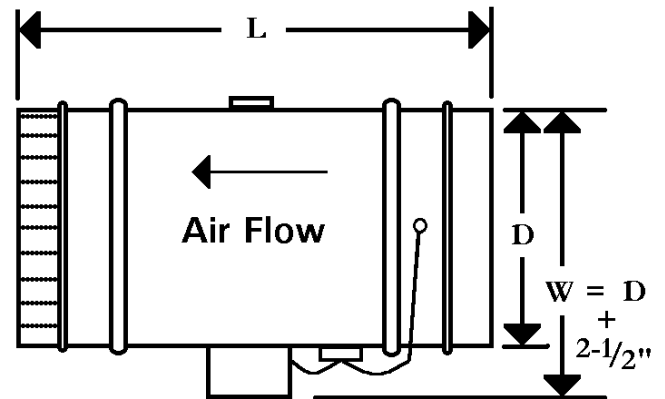
Available Separately
Single pole, double throw, center off
for floating control such as the
Young T-312 and T-641

Size Information Damper diameter is 1/8" undersized

Minimum Size: 4"
Maximum Size: 16"
Shell Length: 10" or diameter,
whichever is greater

Options (at additional costs)

- 120V / 24V 40Va transformers
- Plenum rated motor enclosures
- Consider bypass pressure relief if more the 30% of system air is zoned (4092 or 4095)



| QUANTITY | DIAMETER | |
|-------------------|----------|-------------------------|
| | | |
| | | |
| | | |
| | | |
| | | |
| PROJECT | | LOCATION |
| CONTRACTOR | | DESIGN SPECIFIER |