



**Model 2015 & 2165  
THERMOSTATIC CONTROL**

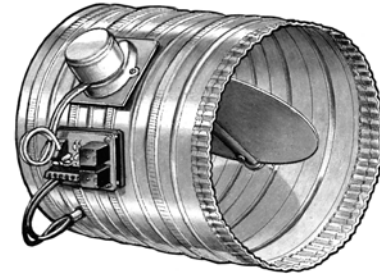
**SUBMITTAL DATA**

The 2015 and 2165 damper can be used to control a single room or, by using several dampers, zone a number of rooms. No zone control panel required!! SOLVES ISOLATED OVER-HEATING AND OVER-COOLING PROBLEMS.

**CONSTRUCTION**

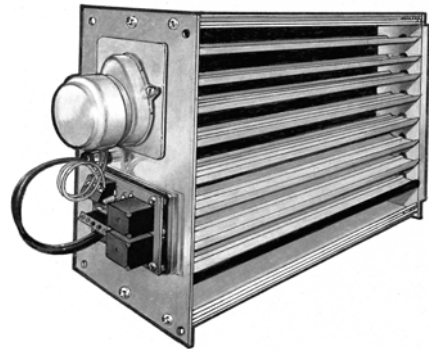
**ROUND**  
 Frame: 20 gauge spiral galvanized steel  
 Blade: 20 gauge galvanized "V" blade  
 Bushings: oil impregnated bronze  
 Shaft: 1/2" diameter steel, extended 3"

**RECTANGULAR**  
 Frame and Blade .050 Aluminum Chanel with Stiffening Beads  
 Slide Stainless Steel  
 Bushings Teflon  
 Mounting Plate 18 ga. Galvanized Steel for Slip in installation



**ACTUATOR**

- Damper is powered open - power closed with a 24V 6VA motor with special windings and heavy-duty gearing. Ccrosspin drive on the shaft provides direct drive
- If the green LED light is lit, the damper will be in the open position.
- Up to two damper motors can be controlled from a single thermostat. A 40 VA transformer is recommended to power one or two damper motors.
- The HVAC unit must be controlled by its own space thermostat or discharge controller.
- A zone damper must not control the area or zone in which the HVAC unit space thermostat is located.



**SIZE INFORMATION (w x h)**

**RECTANGULAR**

**Minimum Size:** 4" x 4"  
**Maximum Size:** 24" x 14"  
 Bottom Mount to: 36" x 24"  
**Frame:** 2 1/8" wide

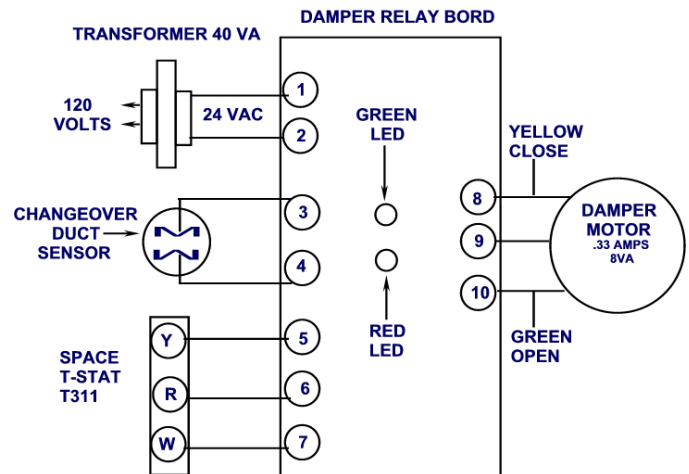
**ROUND**

**Minimum Size:** 4"  
**Maximum Size:** 24"  
**Shell Length:** 10" or diameter, whichever is greater

Dampers are undersized by 1/8"

**OPTIONS**

Modulating Motor (pressure dependent VAV)  
 Thermostats



| QUANTITY          | DIAMETER |                         |
|-------------------|----------|-------------------------|
|                   |          |                         |
|                   |          |                         |
|                   |          |                         |
| <b>PROJECT</b>    |          | <b>LOCATION</b>         |
| <b>CONTRACTOR</b> |          | <b>DESIGN SPECIFIER</b> |