

5020 Series Round Volume Control Butterfly Dampers

The 5020 series of dampers are standard, manual, round volume control butterfly dampers and can be used to regulate air flow in most round duct systems.

The 5020-R has a commercial quality locking regulator and the 5020-B version is designed to be controlled from the bottom of the duct.

FEATURES

- Fast, simple installation.
- 90° butterfly design
- Heavy gage spiral shell (10" – 20" 20 gauge, 6" - 8" 24 gauge) are fabricated from SMACNA preferred G60 galvanized steel, with one straight and one crimped end, along with rolled-in stiffening beads for superior rigidity.
- Non-seize molded nylon bearings are provided for the damper blade.
- ½" solid steel shaft.
- Velocity 1500 F.P.M.

OPERATION

Both 5020-R and 5020-B are manually operated. 5020-R is furnished with a 403 lever-type locking regulator for the 3/8" operating shaft. The regulator lever indicates the position of the damper. 5020-B includes a coupling which accepts 3/8" square rod from a Young concealed ceiling regulator (301, 315 or 315A, all available separately).

AVAILABLE SIZES

4", 5", 6", 7", 8", 10", 12", 14", 16", 18", 20".

Damper length is 10" for 4" to 8" diameters.

Damper length for 10" to 20" equals diameter. (length equals diameter)

Please call the factory for intermediate or larger sizes.

OPTIONS

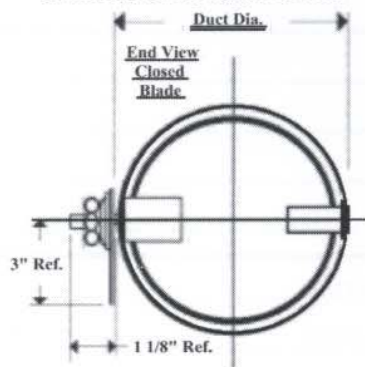
- Extended base for insulated ductwork (1" or 2")
- EPDM low leakage seals
- Scoop and spin-in type shell
- Stainless Steel construction



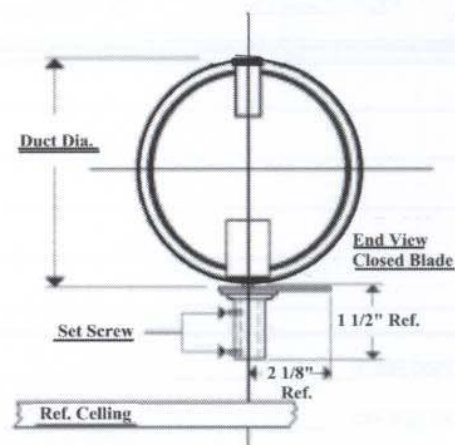
5020-R



5020-B



5020-R
(Includes locking quadrant)



5020-B
(Includes bearing and coupling)

YOUNG REGULATOR COMPANY
20910 Miles Parkway • Cleveland, Ohio 44128
(216) 663-5646 • Fax (216) 663-1830

Note: Stainless steel damper will not be made from spiral shell.