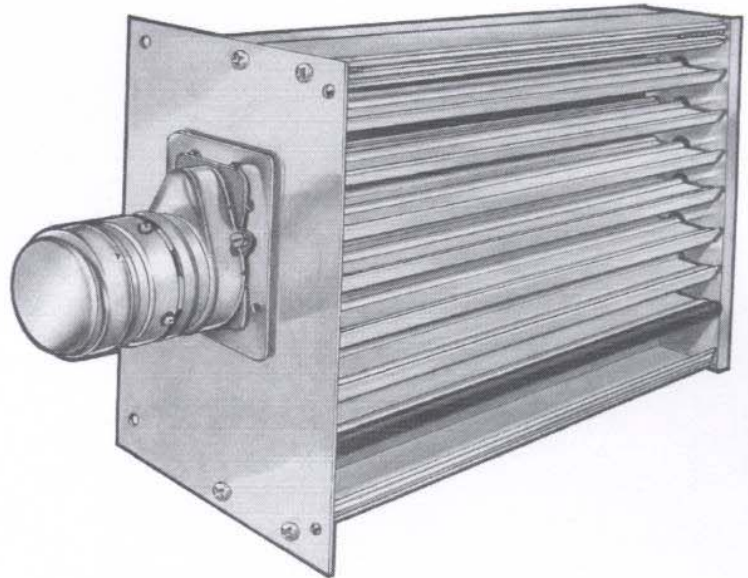


3165 Motorized Rectangular Damper

Young 3165 motorized rectangular dampers are designed especially for use in zone control, air in-let, and exhaust air vents, although they may be used to control air flow in any branch system duct. 3165 is similar to our 3150 motorized damper except that it is powered in both directions, providing extra power and quieter operation.

FEATURES

- Heavy-duty .050 extruded aluminum blade and frame with stainless steel slide construction for long, corrosion-resistant life.
- Dampers have been tested to 250,000 cycles.
- Opposed blade damper distributes air evenly over face of grille.
- New, individual Teflon blade bushings for smoother and quieter operation.
- Mounting plate provided for slip-in installation in the side of the duct.
- Motor change is quick and easy.
- Noise level and air velocity changes are kept to a minimum.



OPERATION

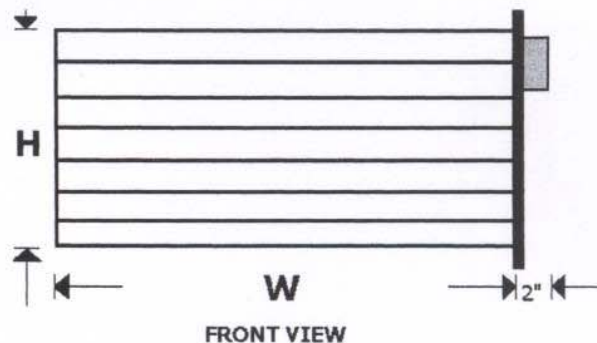
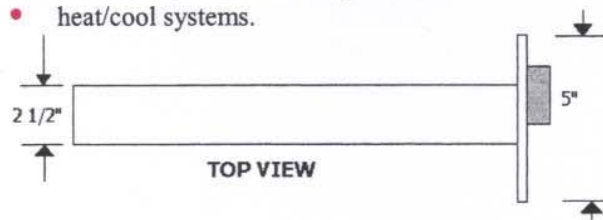
The 3165, designed to work with low pressure systems up to 1", is driven by a 3-wire, 24 volt synchronous type motor attached to the mounting plate with 2 screws. Damper operation is 2-position, power open / power close. The motor drives the damper to the full open position in 30 seconds, and also to the full-closed position in 30 seconds. 3165 is not meant to be used as a modulating damper due to the high speed of its motor, **Note: This damper may be used for V.A.V. systems with controls requiring faster response timing.**

AVAILABLE SIZES

Standard sizes range from 6" x 6" through 24" x 24". Please call the factory for intermediate and larger sizes.

OPTIONS

- Bottom mounted motor.
- R319 Relay
- R316 Relay for auto changeover for heat/cool systems.



YOUNG REGULATOR COMPANY
20910 Miles Parkway • Cleveland, Ohio 44128
(216) 663-5646 • Fax (216) 663-1830