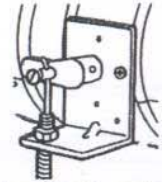


Bowden Remote Cable Controls Concealed Ceiling Regulators

The Young Regulator Company's Bowden Cable Control Assemblies are designed to control balancing dampers above hard ceilings or in other inaccessible spaces without access doors. These commercial quality assemblies provides positive locking control with a steel rack and pinion controller that saves installation time in the field over the old miter gear - 3/8" steel rod method. Flexible wire and casing up to 50' long connects the controller to a damper to accommodate ASHRAE recommendations of a balancing damper installed 5-10 duct diameters before the air outlet to insure proper sound and vibration control. The models designed to control dampers from the ceiling line are illustrated on this page.

Use The Remote Cable Controls with

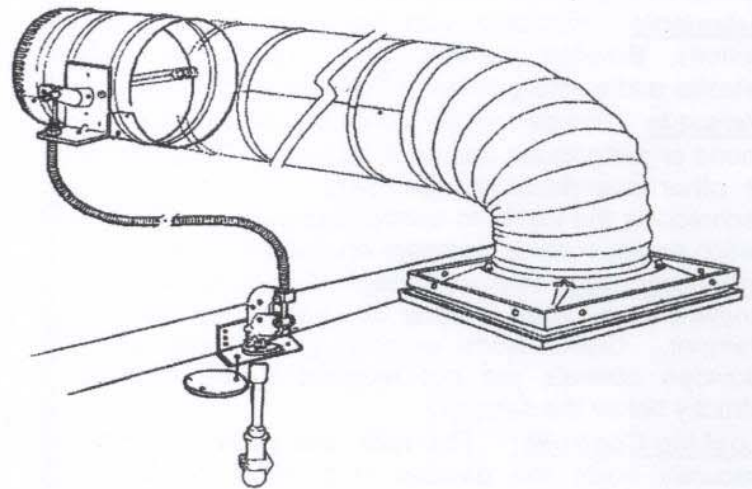
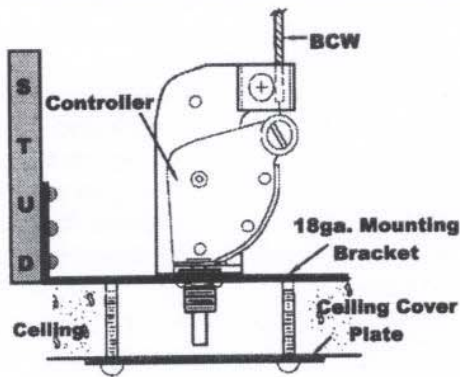
- The Young 5020CC round or the Young 830ACC rectangular damper.
- **Damper By Others** and the "B" Version of controls that will include the hardware for damper. (i.e. 270-301B)
- BCW, the flexible casing and wire. Length is distance between damper and controller.



Additional hardware included with "B" version of any kit. Specify damper shaft size.

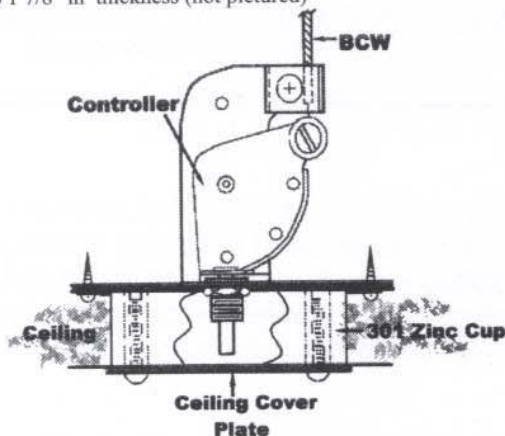
270-301-EZ Mounting Bracket and Cover Plate

- Controller with mounting bracket to fasten to ceiling stud
- 3" Zinc Plated Cover Plate removes for access to controller



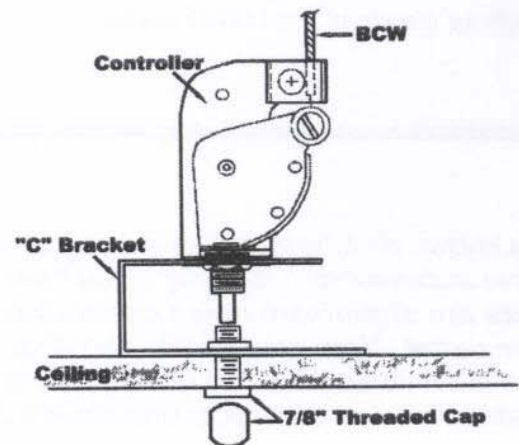
270-301 Concealed Cup and Cover Plate

- Controller mounts atop ceiling cup
- Cup is imbedded in the ceiling so the unit is flush with the finished surface.
- Cup measures 2 5/8" in diameter and is 15/16" deep.
- 3" Zinc Plated Cover Plate removes to access controller
- Use 270-315 or the 270-315A for a threaded adjustable cover plate for ceilings up to 1 7/8" in thickness (not pictured)



270-896 Mounting Bracket and Threaded Cap

- Zinc plated 7/8" diameter threaded cap removes to access controller
- Controller with C bracket fastens to ceiling or stud
- Optional tamper proof threaded cap for security installations



Note: Options to control damper from the wall or the plenum of a slot diffuser are also available. Call your Young Regulator Representative or the factory with questions.

YOUNG REGULATOR COMPANY
20910 Miles Parkway • Cleveland, Ohio 44128
(216) 663-5646 • Fax (216) 663-1830