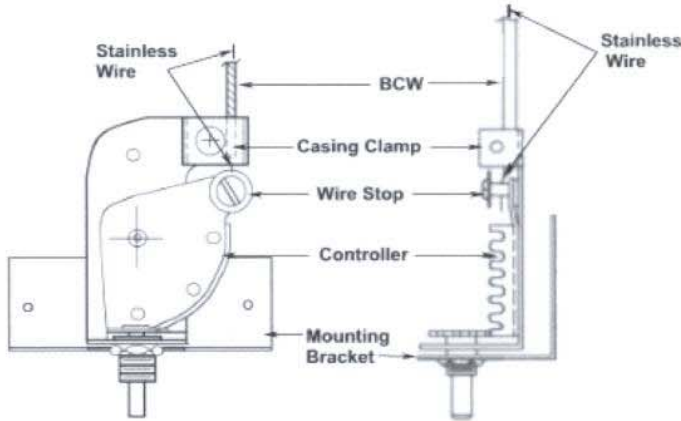


Bowden Remote Cable Controls

270-275

The Young Regulator Company's Bowden Cable Control Assemblies are designed to control balancing dampers in inaccessible spaces without access doors. These commercial quality assemblies provide positive locking control using a steel rack and pinion controller kit and a length of flexible casing and wire. The 270-275 Controller, our most versatile of the 9 kits, can be used to control dampers from a wide variety of places such as the diffuser frame, inside a plenum, and from the face of a floor grille of under ground. Some of these applications are illustrated on the front and back of this page.

NOTE: All illustrations on this page are not to scale



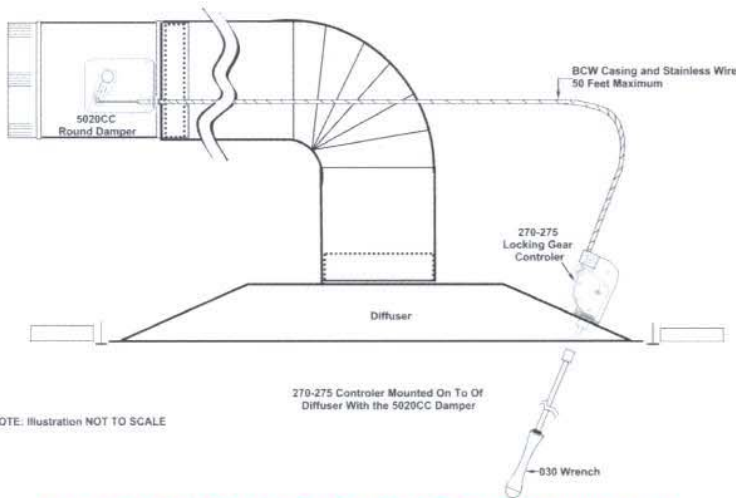
270-270 CONTROLLER

- Controller with mounting bracket for mounting to side of duct or inside the floor grille.
- BCW casing and stainless wire runs from rack and pinion controller to dampers.



A-1

Additional hardware included with "B" version of the kit for "Dampers by Others" Specify damper shaft size.

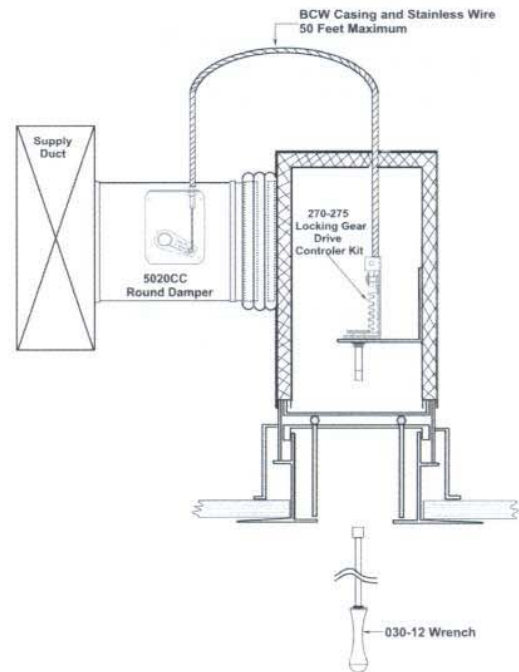


270-275 Controller Mounted On To Of Diffuser With the 5020CC Damper

NOTE: Illustration NOT TO SCALE

270-275 CONTROLLER ADJUSTED THROUGH LAY-IN CEILING DIFFUSER FRAME

- Controller with mounting bracket fastened to the frame or back cone of the lay-in ceiling diffuser
- BCW casing and stainless wire parallels the flex back to damper at branch duct takeoff



270-275 CONTROLLER INSTALLED INSIDE PLENUM AND ADJUSTED THROUGH THE DIFFUSER

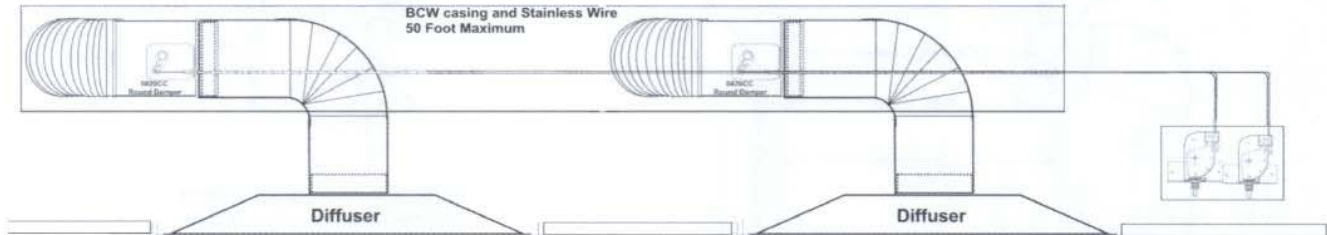
- Controller with mounting bracket fastened to the inside of plenum with access to control shaft through the opening in the diffuser
- BCW casing and stainless wire exits plenum through a 1/4" hole then parallels the flex back to damper at branch duct takeoff

YOUNG REGULATOR COMPANY
20910 Miles Parkway • Cleveland, Ohio 44128
(216) 663-5646 • Fax (216) 663-1830

Bowden Remote Cable Controls 270-275

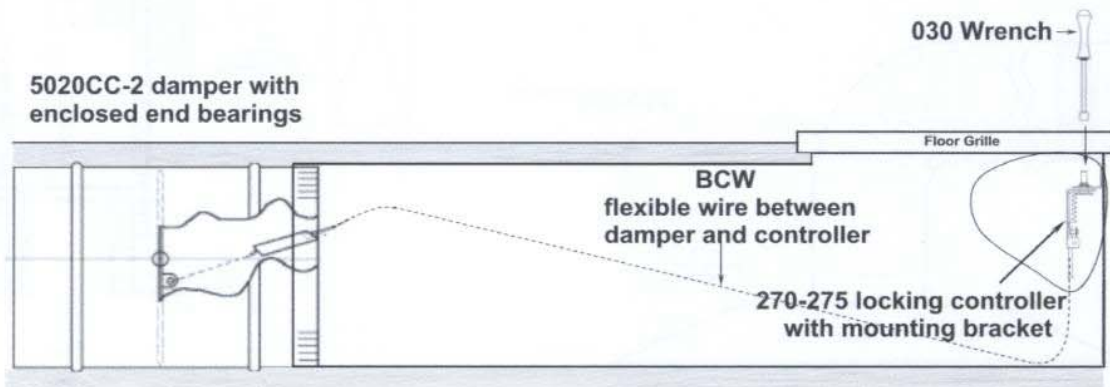
The 270-275 Controller kit includes the rack & pinion controller with mounting bracket and the respective hardware to attach to our Young Regulator dampers depending on round or rectangular. The 270-275B kit is for dampers by others and includes the mounting hardware, shown in A-1.

NOTE: All Illustrations on this page are not to scale



BOWDEN CASING AND WIRE

- The BCW are required for all applications using the Bowden Remote Cable Controls
- 270-275 Controller kits can be mounted in a number of remote locations. One example is on a panel above accessible ceiling or an equipment room and tagged for the respective diffusers.



270-275 CONTROLLERS ADJUSTED THROUGH FLOOR GRILLE

- Controller with mounting bracket mounted to side of duct just inside the floor grille. Remove grille to adjust damper.
- BCW casing and stainless steel wire runs inside air stream from damper blade to rack and pinion controller.

YOUNG REGULATOR COMPANY
20910 Miles Parkway • Cleveland, Ohio 44128
(216) 663-5646 • Fax (216) 663-1830