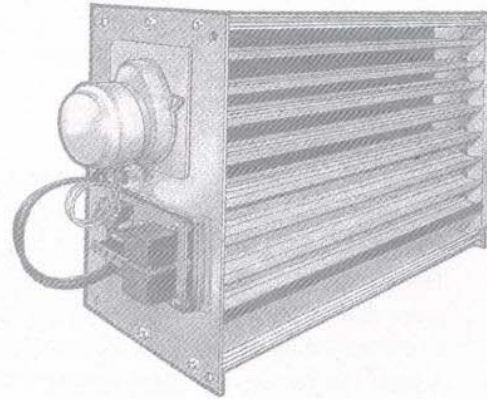
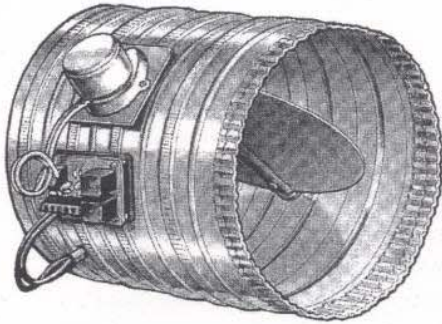


Zone One Models 2015 Round and 2165 Rectangular Stand Alone Auto-Changeover Zone Damper

The Zone One damper can be used to control a single room or, by using several dampers, zone a number of rooms. No zone control panel required!! SOLVES ISOLATED OVER-HEATING AND OVER-COOLING PROBLEMS.

FEATURES AND BENEFITS

- Heavy-duty spiral shell with bronze bearings, steel shaft, and heavy duty reinforced blade.
- Change over relay board is built-in with duct sensor pre-wired.
- Solves isolated over-heating and over-cooling problems.
- Individual blade bearings for smoother and quieter operation



NOTE: For Specification on material and sizes see 4010-HD for round dampers and 3150 for rectangular dampers.

TECHNICAL NOTES

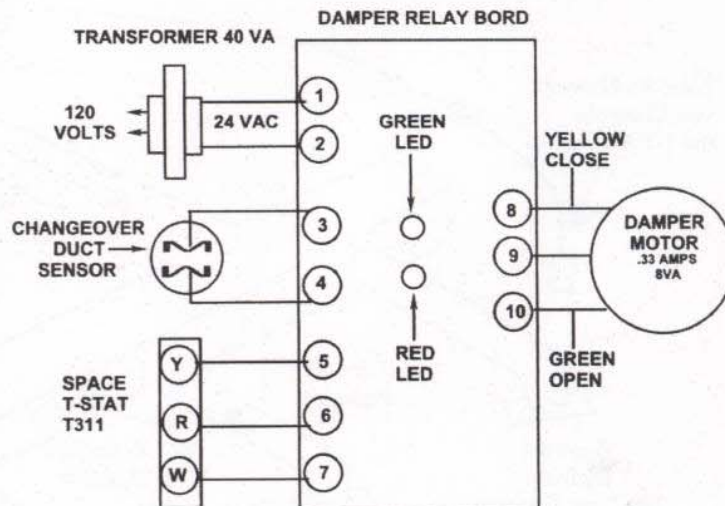
- Damper is powered open - power closed with a 24V 6VA motor.
- If the green LED light is lit, the damper will be in the open position.
- Up to two damper motors can be controlled from a single thermostat. Slave dampers may be 4015 or 3165 models to save cost.
- A single 40 VA transformer is recommended to power one or two damper motors.
- The HVAC unit must be controlled by its own space thermostat or discharge controller.
- The area or zone in which the HVAC unit space thermostat is located **must not** be controlled by a zone damper.

OPTIONAL MODELS

- Spring Return
- Modulating

ACCESSORIES

- Heavy Duty Bypass Dampers
- Barometric Bypass Dampers
- Suction Line Freeze Stat



YOUNG REGULATOR COMPANY
20910 Miles Parkway • Cleveland, Ohio 44128
(216) 663-5646 • Fax (216) 663-1830

ZONE ONE

MODEL 2015 AND 2165 ZONE DAMPER ASSEMBLY INFORMATION AND INSTALLATION SHEET

USE ONE DAMPER TO CONTROL A SINGLE ROOM (HOME OR OFFICE)
OR SEVERAL DAMPERS TO ZONE A NUMBER OF ROOMS OR OFFICES

SEQUENCE OF OPERATION

- The system consists of one or more zone dampers and zone thermostats. The thermostat signals damper(s) to open or close and to deliver warm or cool air depending on whether the automatic changeover sensor (one located at each zone damper) senses warm or cool air in the branch
- The green LED located on the damper control indicates when the damper is in the open position.

DESIGN NOTES

- If you are using **ZONE ONE** (2000 Series) dampers to zone more than 20% of the area served by the HVAC unit, a bypass damper is required to maintain a constant system static pressure as the individual zone dampers open and close.
- The HVAC unit should be controlled by its own space thermostat (supplied by contractor). When a space thermostat is used to control the HVAC unit it is important that at least 30% of the system load be controlled by the equipment space thermostat located in the undampened zone.
- A zone stat and damper **must not be** installed in the area or zone in which the equipment space thermostat is located
- A suction line freeze stat, FS-1, should be installed to protect the equipment in the event the suction line temperature drops too low. (Wire in series with cooling control circuit).
- The **ZONE ONE** dampers are designed to work only with low pressure systems (1" or less).
- The air system must be properly balanced before putting the HVAC equipment in operation.
- If a thermostat is controlling a single damper, set the heat anticipator at .5 amps.
- If a thermostat is controlling two dampers, set the heat anticipator at 1.0 amps.

