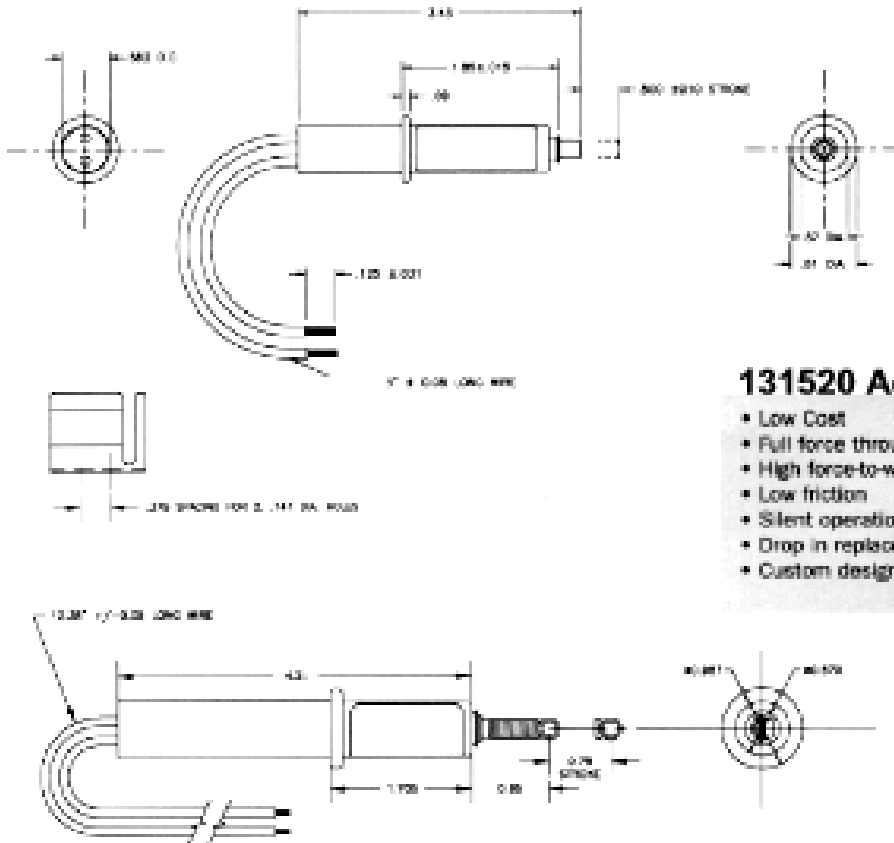


131520 Actuator Series

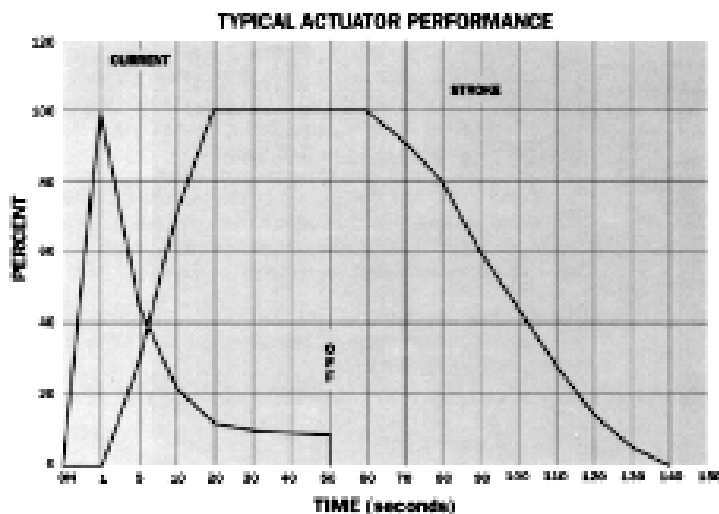
Mechanical Dimensions



131520 Actuator Features

- Low Cost
- Full force throughout stroke
- High force-to-weight ratio
- Low friction
- Silent operation (electrically & audibly)
- Drop in replacement for linear motors
- Custom designs for your application

Performance Graph



131520 Actuator Specifications

Input Power:	
Voltage	12, 24, 120 or 240 VAC/VDC
Current, nominal	0.2 Amps @ 110 VAC 1.5 Amps @ 12 VDC
Stroke Length:	
500 Series	0.500"
700 Series	0.750"
Max Force:	
500 Series	30 lbs.
700 Series	50 lbs.
Agency Approvals	24 and 120 volt units listed under UL, CSA and AGA